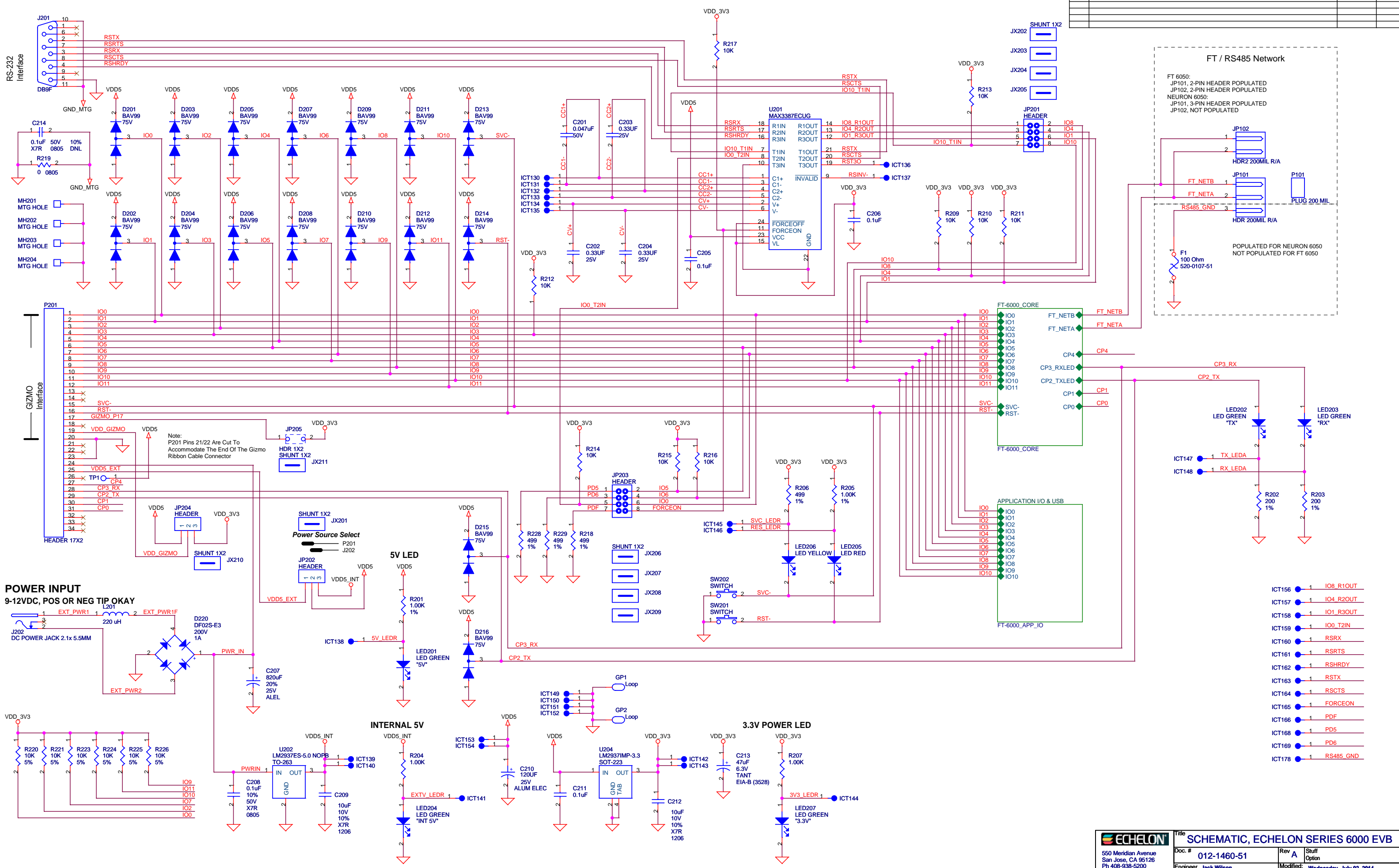
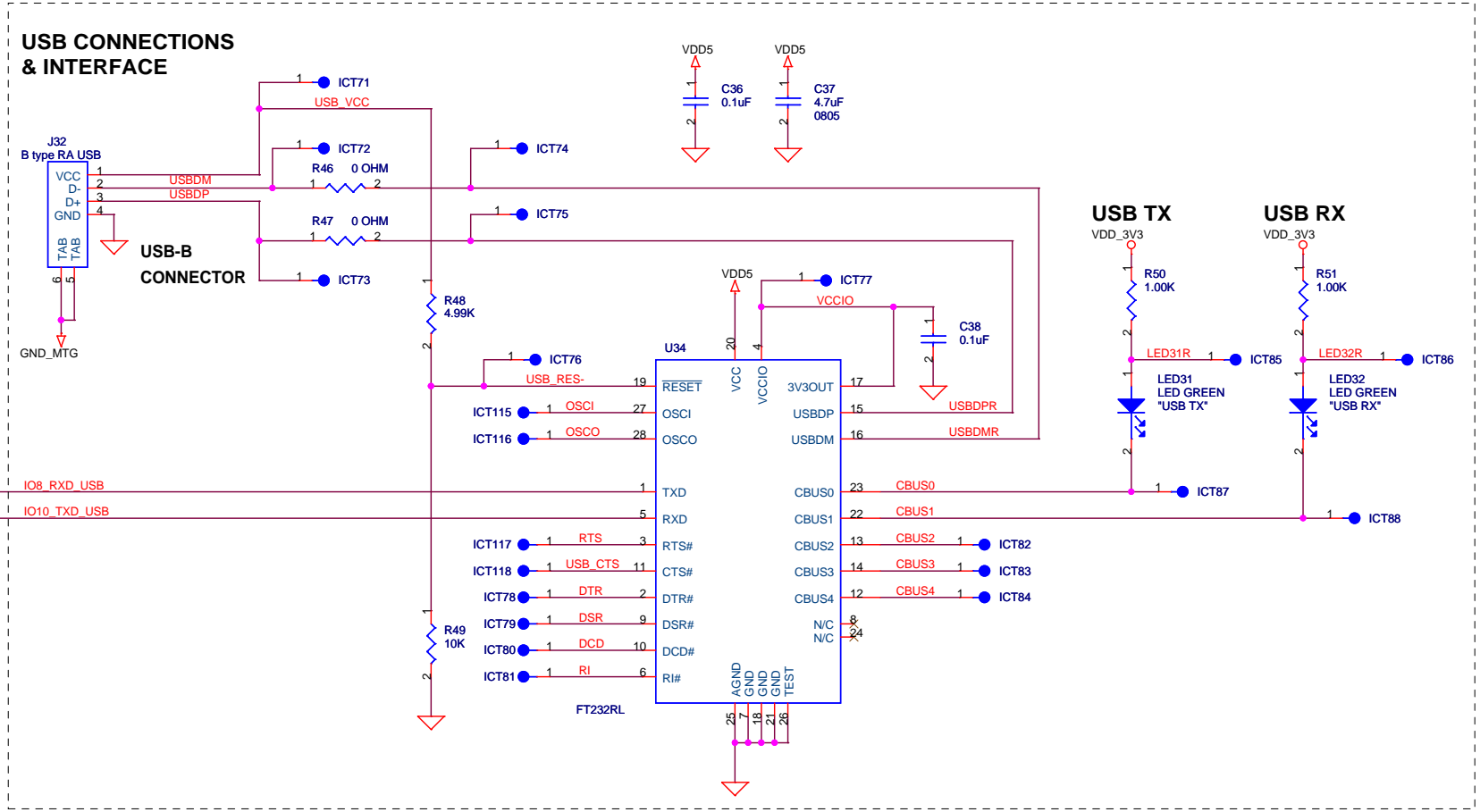
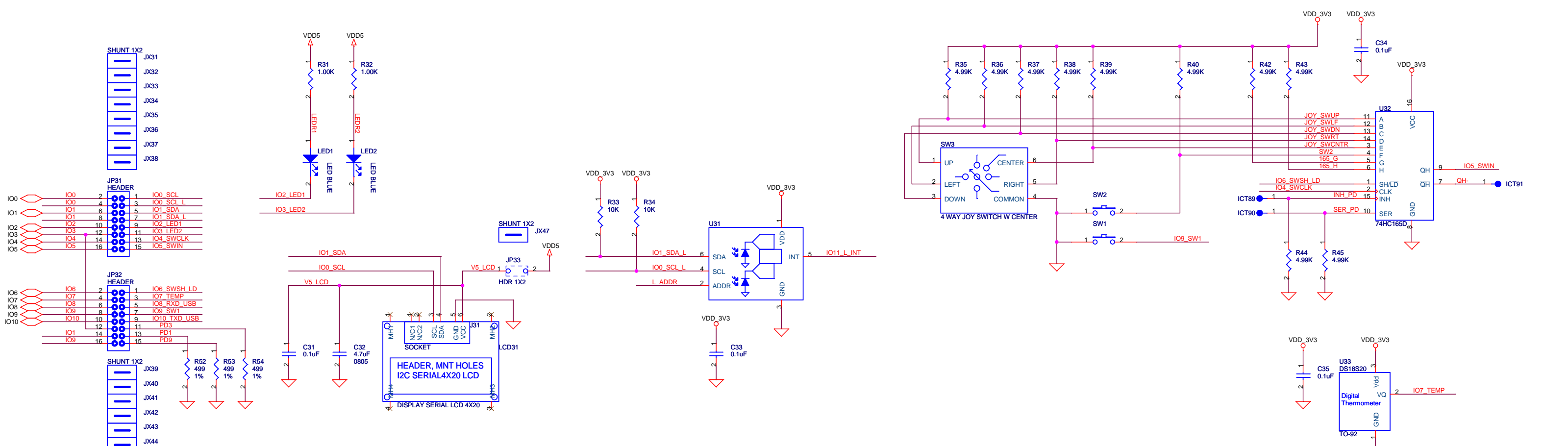


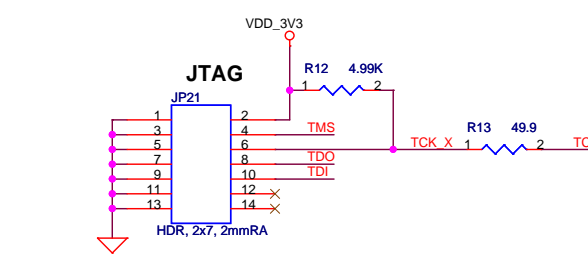
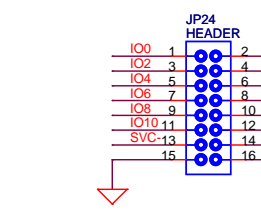
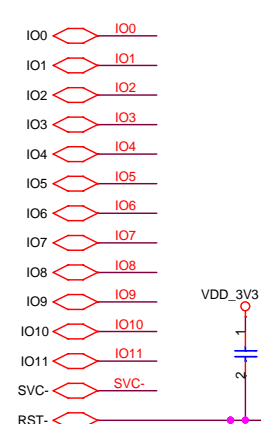
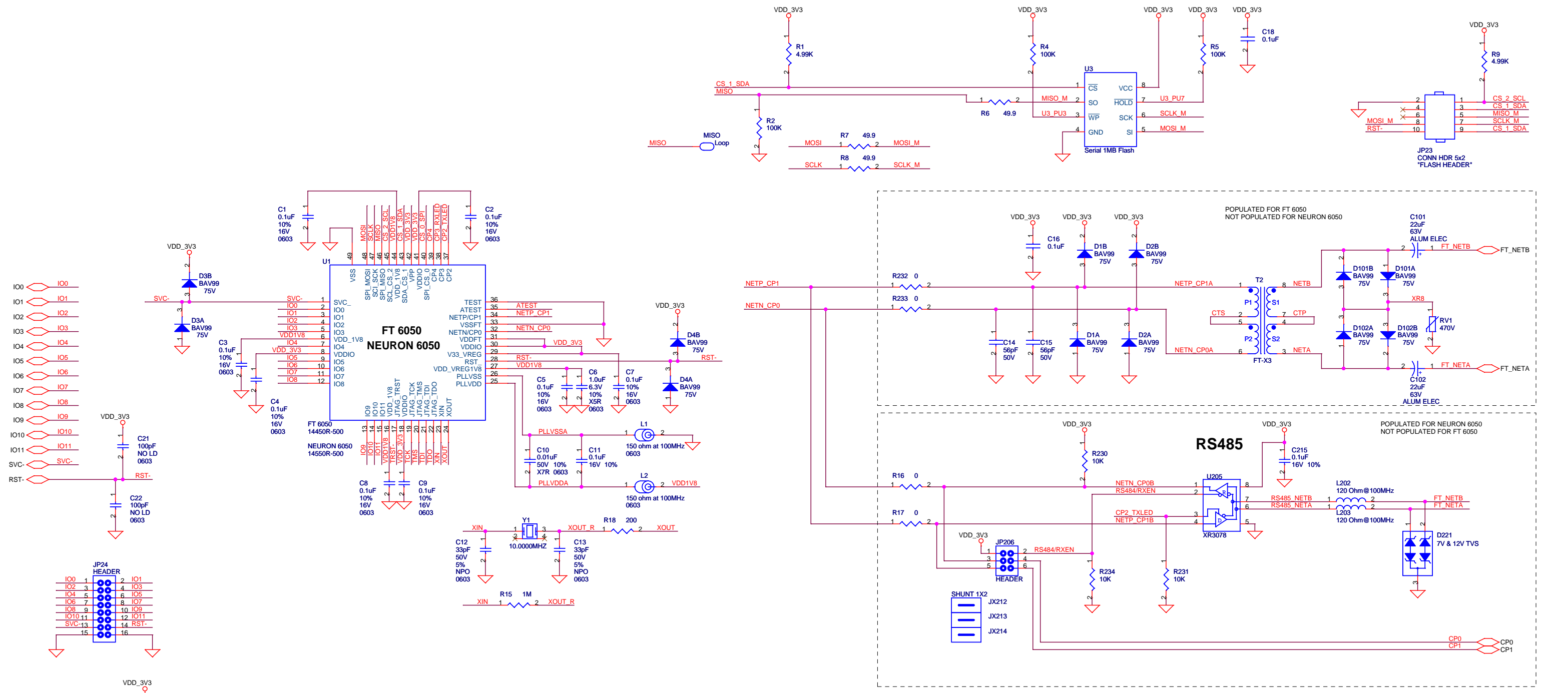
REV	DESCRIPTION	DATE	APPVD
A	PRODUCTION RELEASE	03-21-2014	MD





**On Board I/O & USB**

- ICT92 1 JOY\_SWUP
- ICT93 1 JOY\_SWLF
- ICT94 1 JOY\_SWDN
- ICT95 1 JOY\_SWRT
- ICT96 1 JOY\_SWCNR
- ICT97 1 SW2
- ICT98 1 LEDR1
- ICT99 1 LEDR2
- ICT100 1 IO0\_SCL
- ICT101 1 IO1\_SDA
- ICT102 1 IO2\_LED1
- ICT103 1 IO3\_LED2
- ICT104 1 IO4\_SWCLK
- ICT105 1 IO5\_SWIN
- ICT106 1 IO6\_SWSH\_LD
- ICT107 1 IO7\_TEMP
- ICT108 1 IO8\_RXD\_USB
- ICT109 1 IO9\_SW1
- ICT110 1 IO10\_TXD\_USB
- ICT111 1 IO1\_SDA\_L
- ICT112 1 IO0\_SCL\_L
- ICT113 1 IO11\_L\_INT
- ICT114 1 L\_ADDR
- ICT167 1 PD1
- ICT170 1 PD9
- ICT172 1 PD3



ICT1	1	IO0	ICT13	1	SVC-	ICT25	1	NETN_CP0A	ICT37	1	NETA	ICT49	1	TCK_X	ICT61	1	CP0
ICT2	1	IO1	ICT14	1	RST-	ICT26	1	NETP_CP1A	ICT38	1	NETB	ICT50	1	PLLVSSA	ICT62	1	CP1
ICT3	1	IO2	ICT15	1	XIN	ICT27	1	CP2_TXLED	ICT39	1	CTS	ICT51	1	PLLVDDA	ICT63	1	XOUT_R
ICT4	1	IO3	ICT16	1	XOUT	ICT28	1	CP3_RXLED	ICT40	1	CTP	ICT52	1	VDD1V8	ICT155	1	XR8
ICT5	1	IO4	ICT17	1	TRST-	ICT29	1	CP4	ICT42	1	MOSI	ICT53	1	VDD1V8	ICT173	1	RS484/RXEN
ICT6	1	IO5	ICT18	1	TCK	ICT30	1	MOSI	ICT43	1	MOSI_M	ICT54	1	VDD1V8	ICT174	1	NETN_CP0
ICT7	1	IO6	ICT19	1	TMS	ICT31	1	MISO	ICT44	1	MISO_M	ICT55	1	VDD_3V3	ICT175	1	NETP_CP1
ICT8	1	IO7	ICT20	1	TDI	ICT32	1	SCLK	ICT45	1	SCLK_M	ICT56	1	VDD_3V3	ICT176	1	RS485_NETB
ICT9	1	IO8	ICT21	1	TDO	ICT33	1	CS_0_SPI	ICT46	1	SCLK_M	ICT57	1	VDD_3V3	ICT177	1	RS485_NETA
ICT10	1	IO9	ICT22	1	TEST	ICT34	1	CS_1_SDA	ICT47	1	U3_PU3	ICT58	1	GND			
ICT11	1	IO10	ICT23	1	ATEST	ICT35	1	CS_2_SCL	ICT48	1	U3_PU7	ICT59	1	GND			
ICT12	1	IO11	ICT24	1	VDD1V8							ICT60	1	GND			

