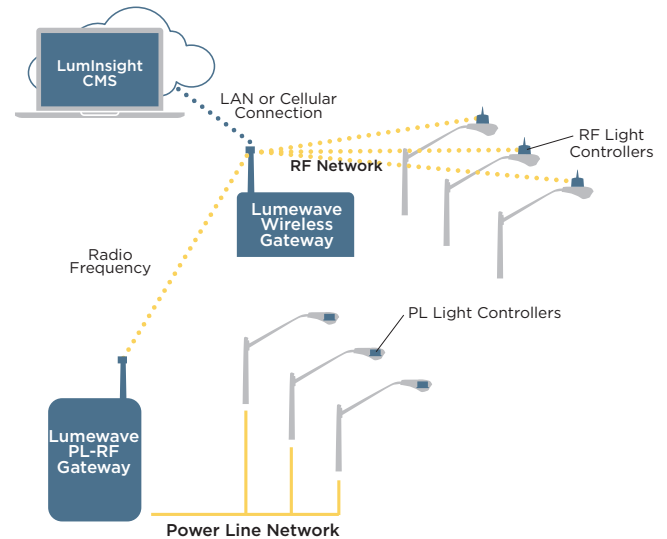


## Lumewave PL-RF Gateway



Enclosure and component configuration images for illustration purposes only; 277V step down transformer not shown; see page 2 for enclosure specifications and photo.



Hybrid PL-RF communication network.

## Product Description

The Lumewave PL-RF Gateway by Echelon connects otherwise disparate lighting control protocols to create a single seamless intelligent network. An industry exclusive, the gateway enables communication between a power line control network and a wireless control network. By integrating two of the most widely used lighting networks, the gateway connects lights traditionally impossible to modernize with smart controls including decorative, pathway, tunnel, and garage lighting. Through the gateway, data captured by all lighting controllers are transmitted to a single central management system (CMS) for monitoring and managing the complete lighting network.

## Operation

Typically installed on a pole or tower, the gateway connects a power line controlled segment to a Lumewave RF gateway, enabling a single CMS to communicate with the wireless and wired lighting networks. Multiple PL-RF gateways can connect to RF lighting networks to create a truly hybrid network.

## Features and Benefits

- Integrates power line (PL) and wireless (RF) lighting networks
- Enables management of PL and RF networks through a single central management software
- Compatible with most lamp types, including LED, eHID, plasma, and induction
- Provides capabilities for:
  - Asset management
  - Group and scene settings
  - Alerts and notifications about general status, current lighting levels, and alarm status
  - Energy reporting
- Prevents data loss in the event of power outage or power cycle
- Secure AES 128-bit encryption

Project:	
Date:	Detail:

# Product Specifications

## Hardware assembly

Supported protocols: LON (ISO/IEC 14908-3 Power Line)  
IEEE 802.15.4 (Control M)

Interface to PL: Single or 3 phase

Control software: LumInsight® Desktop version 5.1 or higher

Input voltage: 120-240VAC and 277VAC, 50/60Hz

Important note: All units shipped configured for three phase 277V input. Refer to wiring guide for single or split phase electrical configuration.

Operating temperature: -40°C to +70°C

## Safety, compliance and warranty

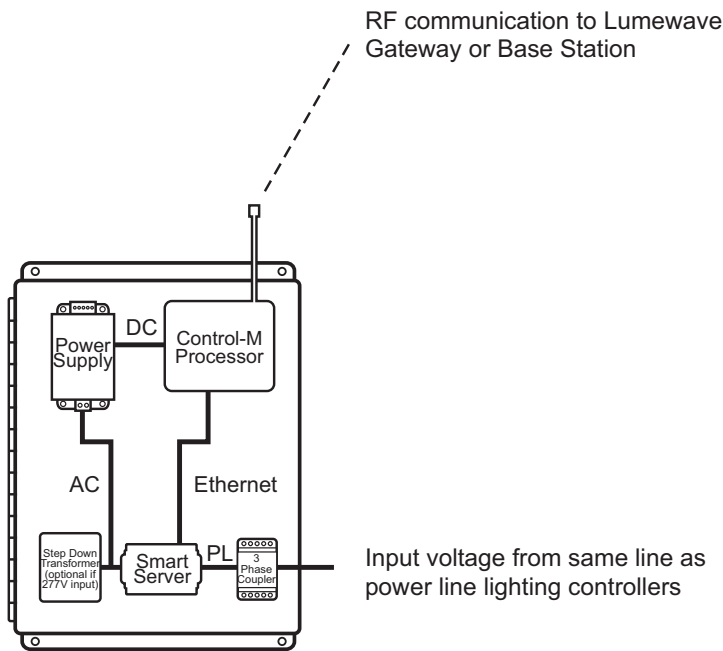
- UL Listed components
- FCC compliant
- 5 year limited warranty\*

## Enclosure

- NEMA 4X, IP 66 rated
- 16 gauge stainless steel type 304
- Smooth grain enclosure finish
- Seams continuously welded and ground smooth
- Stainless steel screw-down clamps on three sides of door
- Sealed with poured-in-place polyurethane gasket
- 16" x 14" x 6" (H x W X D)
- UL 50 Listed

\*Subject to terms and conditions found at [http://echelon.com/lp/warranty\\_five\\_year](http://echelon.com/lp/warranty_five_year)

# Product Illustrations



PL-RF Gateway components and connections



Gateway enclosure

Ordering #	Product Name	Product Description
100198	Lumewave PL-RF Gateway with Enclosure	Gateway device for power line to RF integration in NEMA 4X enclosure